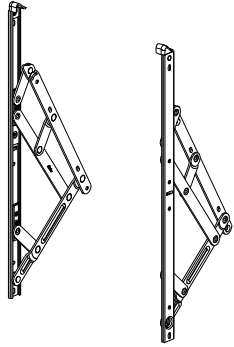


fapim[®]

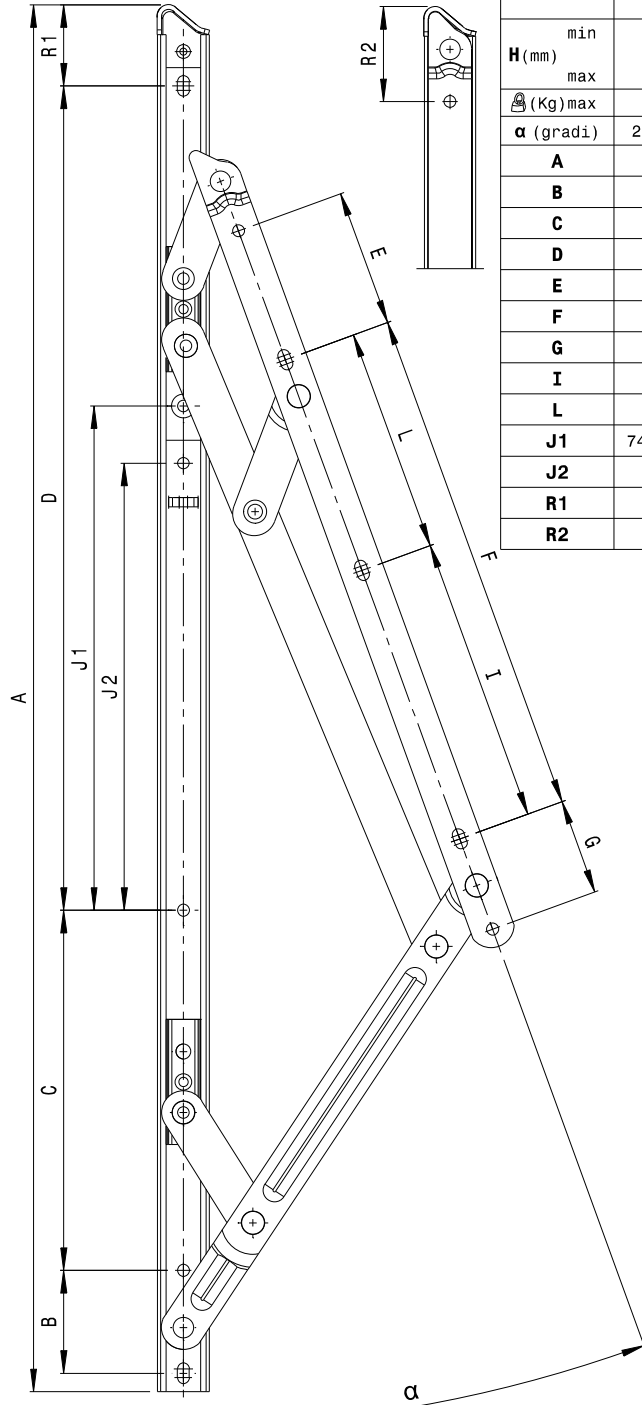
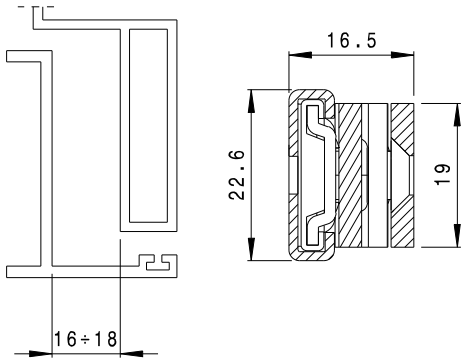
Art. 3250B
 Art. 3250C
 Art. 3250D
 Art. 3250F
 Art. 3250H



Art. 3250B: P-C- 85 kg (187 lbs)-
 1200 mm (47 in) High-NLR
 Art. 3250C: P-C-100 kg (220 lbs)-
 1400 mm (55 in) High-NLR
 Art. 3250D: P-C-110 kg (242 lbs)-
 1600 mm (63 in) High-NLR
 Art. 3250F: P-C-120 kg (264 lbs)-
 1800 mm (71 in) High-NLR
 Art. 3250H: P-C-130 kg (287 lbs)-
 2000 mm (79 in) High-NLR



- Attestazione di conformità ottenuta in base alle norme AAMA904-01 e AAMA907-05
- Certificate of conformity issued according to the AAMA904-1 and AAMA907-05 standards
- Attestation de conformité obtenue sur la base des normes AAMA904-1 et AAMA907-05
- Atestación de conformidad obtenida según las normas AAMA904-1 e AAMA907-05



	3250B		3250C		3250D		3250F		3250H	
H (mm)	min	800	1200	1400	1600	1800	1600	1800	2000	2000
	max	1200	1400	1600	1800	2000	1800	2000	2000	2000
⚖️ (Kg) max	90		100		110		120		130	
α (gradi)	25°	30°	25°	30°	20°	25°	15°	20°	15°	20°
A	16"		18"		20"		24"		28"	
B	44		44		44,5		45		52	
C	116,5		154,5		147,5		147,5		147,5	
D	213,5		220,5		281		370,5		468,5	
E	60		60		60		60		60	
F	101		127		160		223		297	
G	42		42		42		42		42	
I	/		/		/		/		149	
L	/		/		/		/		148	
J1	74.5	/	74.5	/	153.5	/	235.5	/	325.5	/
J2	/	41.5	/	41.5	/	123.5	/	206.5	/	293.5
R1	35.5		35.5		35.5		35.5		35.5	
R2	42		42		42		42		42	

