


MONZA

DOOR HINGE



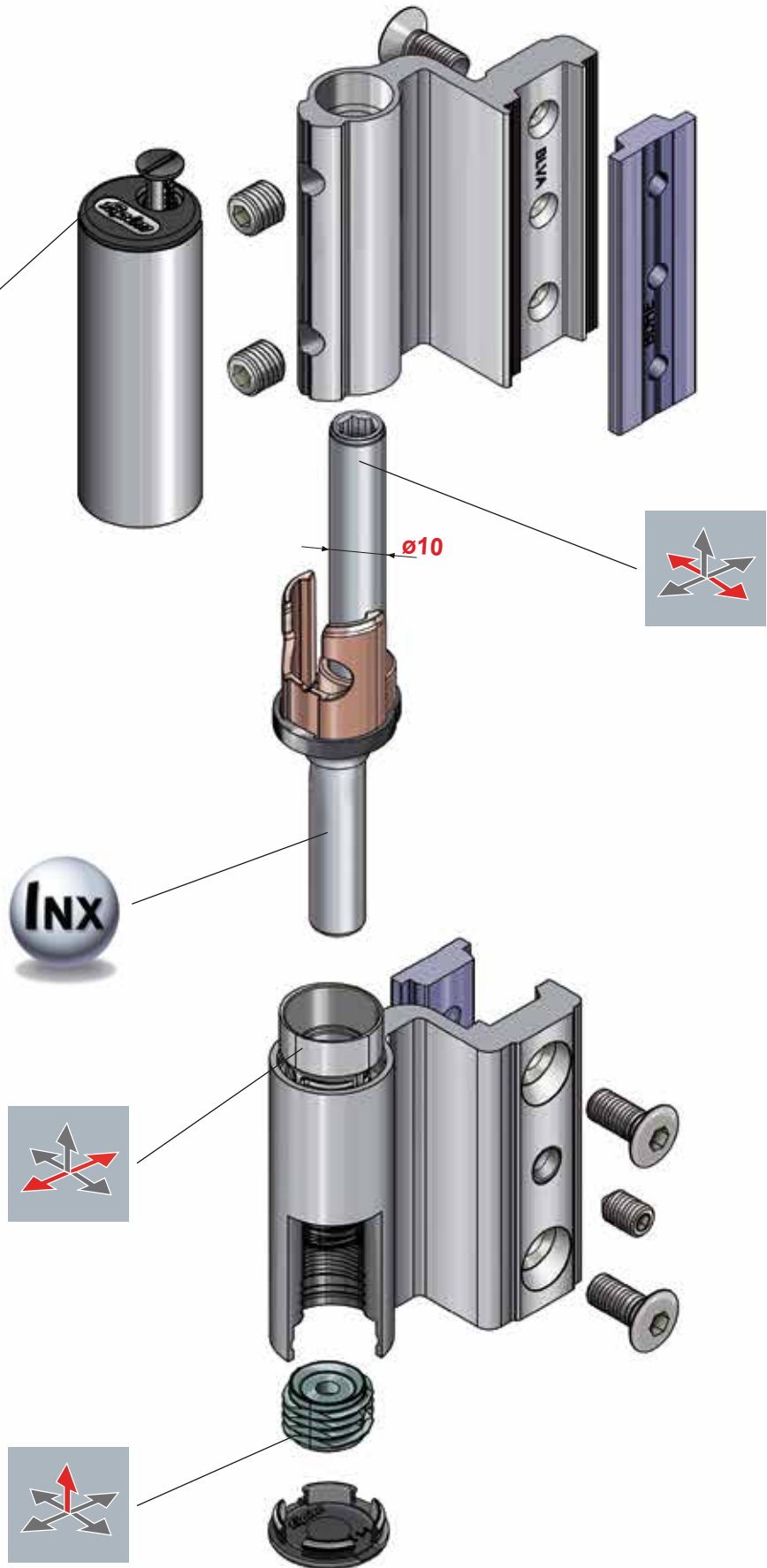
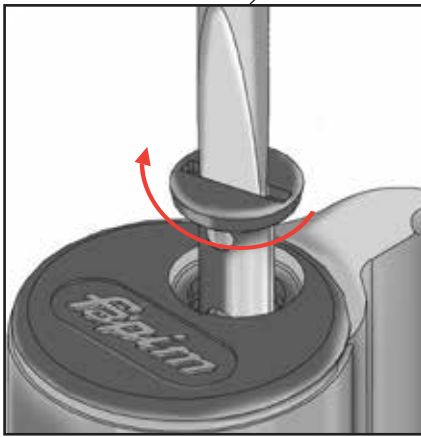
 Made in Italy

fapim[®]
Life in evolution

MONZA

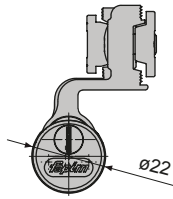
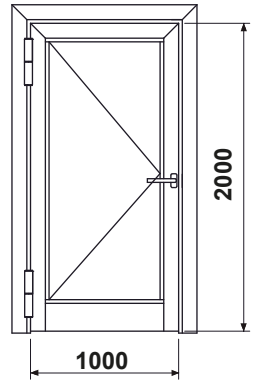
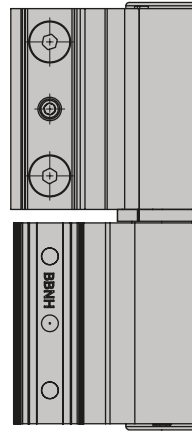
DOOR HINGE

ΤΖΑΣΤΙΣΕΝΑ ΡΑΤΕΝΤΟΜ
ΟΡΑΤΕΝΤΩΩΑΝΑ
120 Kg
ΡΑΤΕΝΤΕD
5.000.000
CICLI
ΠΑΤΕΝΤΑ
ΖΑΠΑΤΕΝΤΩΒΑΝΑ



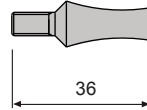
MONZA

DOOR HINGE

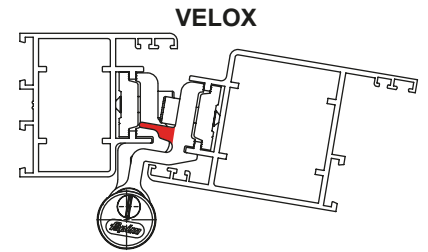
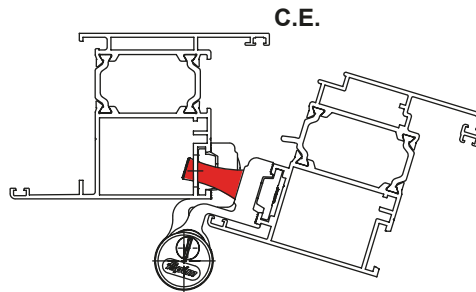



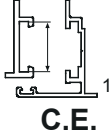

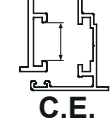
14

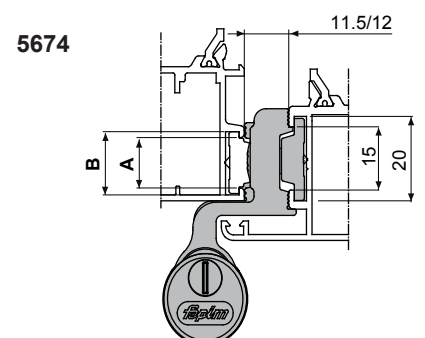
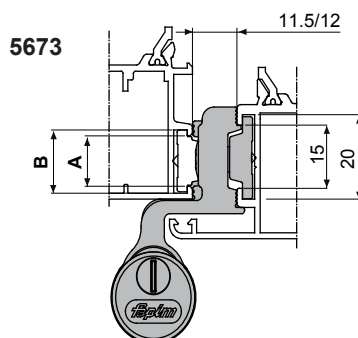
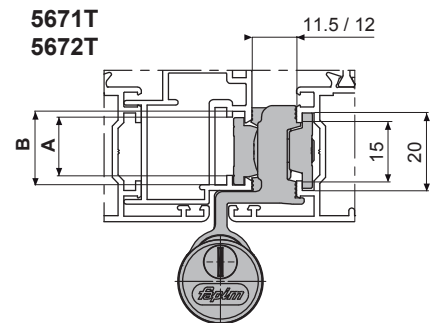
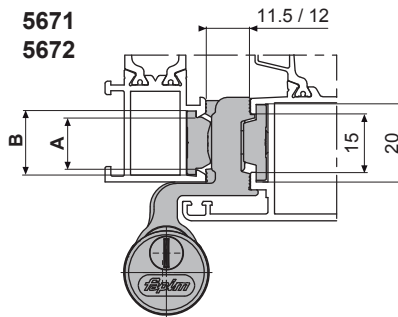
0425
0425-CPR-2605
EN 1935:2002

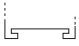



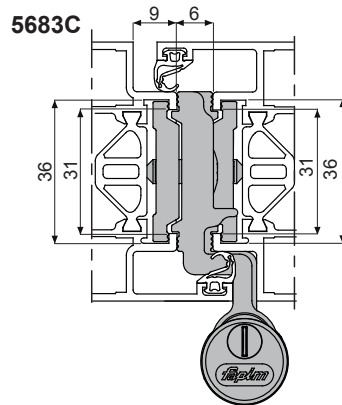
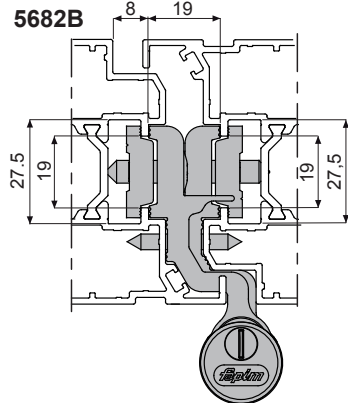
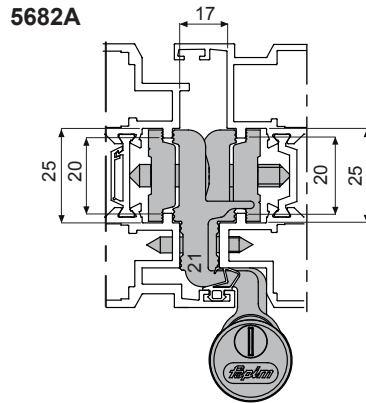
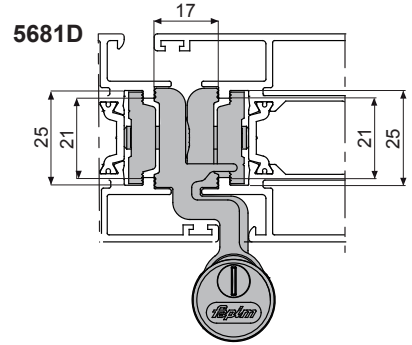
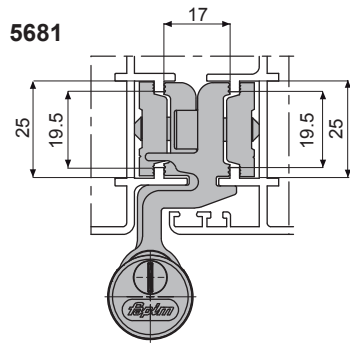
5690	100
------	-----



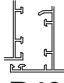


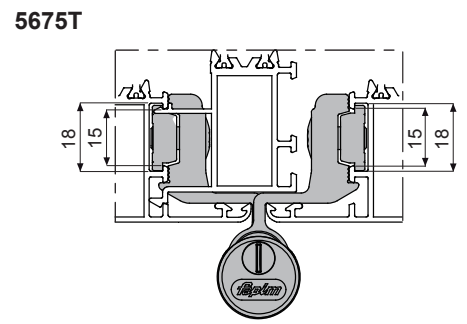
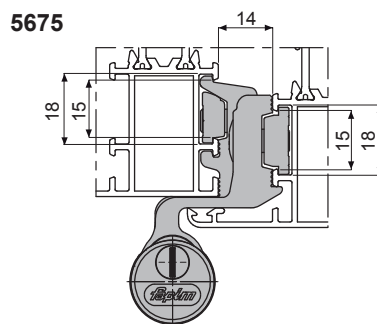
	AxB	
5671	 14x18 C.E.	20
5671T		
5672	 14x18 13.6x16.8 C.E.	20
5672T		
5673	 10x14.5 C.E.	20
5674	 12x15 C.E.	20

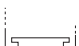

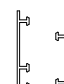


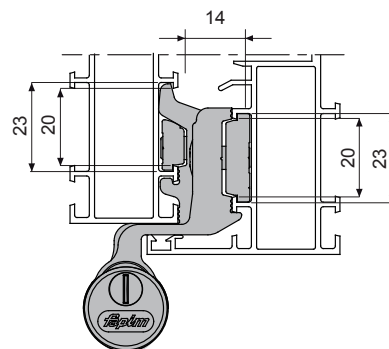
		
5681	19,5x25x17 Velox	20
5681D	21x25x17 Velox	
5682A	20x25x17 Velox	
5682B	19x27,5x19 Velox	
5683C	31x36x6 Velox	

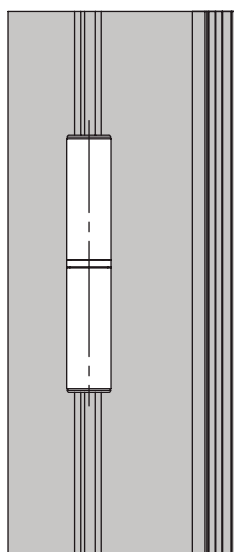
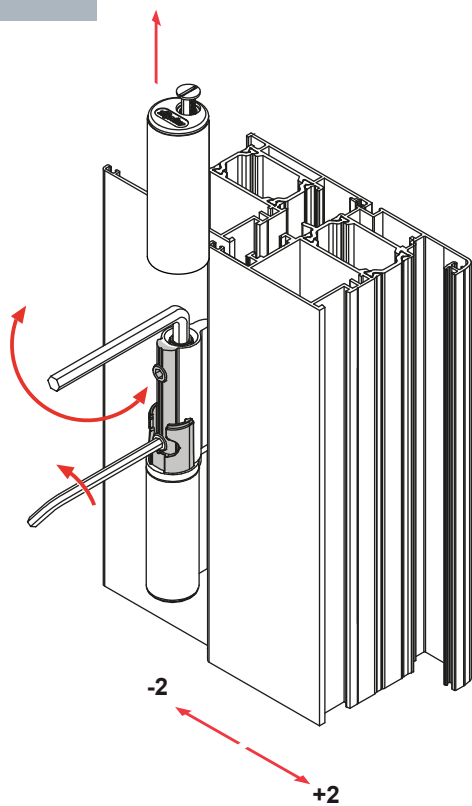


		
5675		20
5675T		

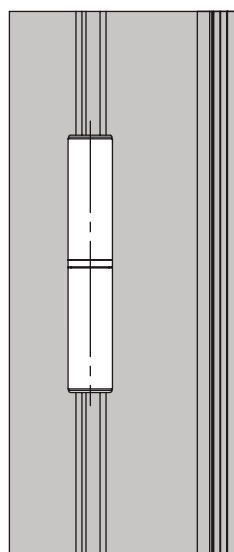


		
5676		20

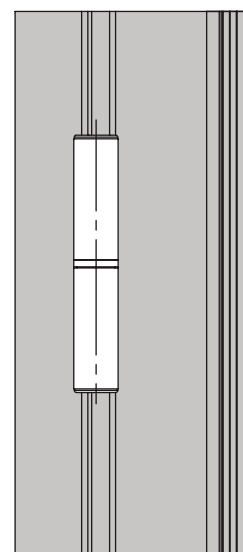




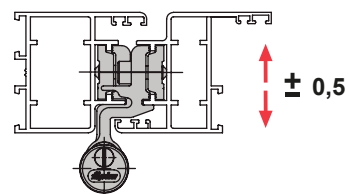
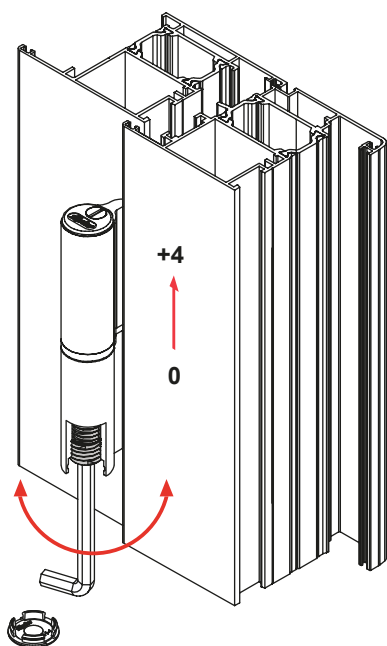
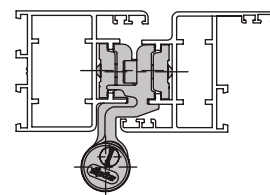
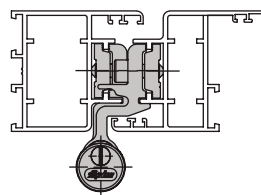
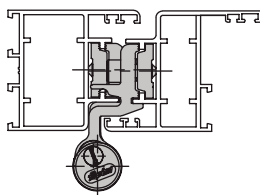
A-2



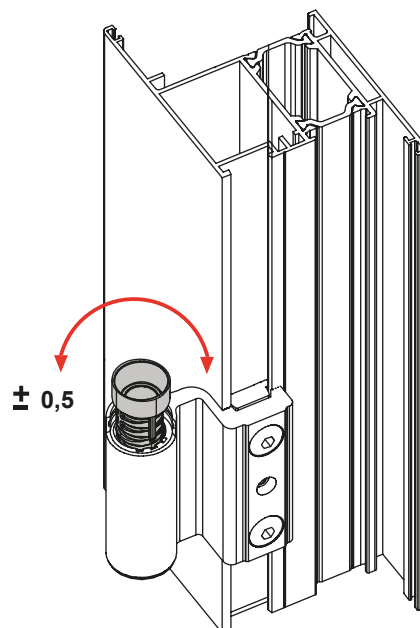
A



A+2



± 0,5



± 0,5

fapim[®]

Fapim S.p.A.
Via delle Cerbaie, 114
55011 Altopascio (LU) Italy
T +39 0583 2601 F+39 0583 25291
www.fapim.it info@fapim.it
Cod.Fisc. e Part.I.V.A. 02224030466

DOMATIC[®]

DOMATIC
info@domatic.it www.domatic.it

fapim

BENELUX

Fapim Benelux s.p.r.l.b.v.b.a.
Avenue Rue St. Roch , 17
7712 Herseaux Belgium
T +32 56 340548
T +32 56 341960
info@fapimbenelux.be

fapim

HISPANIA

Fapim Hispania s.L.
C/edison, esq. A. Ingeniero
Goicoechea 45600
Parcela, 74
Talavera De la Reina (Espana)
T +34 925 828357
F +34 925 841148
administración@fapimhispania.com
pedidos@fapimhispania.com

fapim

POLSKA

Fapim Polska sp. z o.o.
ul.Przyrzecze 4 03-107
WarszawaNIP : 536-16-29-437
T +48 227813797
F +48 227811022
Gsm 609022972

fapim

RUSSIA

Fapim RU llc
Kaluzhskaya Region
Province Borovskiy, 99km.
main way "Ukraina", building 4A
T +7 48439 97207
info@fapimru.ru

fapim[®]

ARGENTINA

Fapim Argentina S.A.
Buschiazzo N° 347
(1611) Don Torcuato
Partido de Tigre
Buenos Aires - Argentina
T +54 (11) 48463545